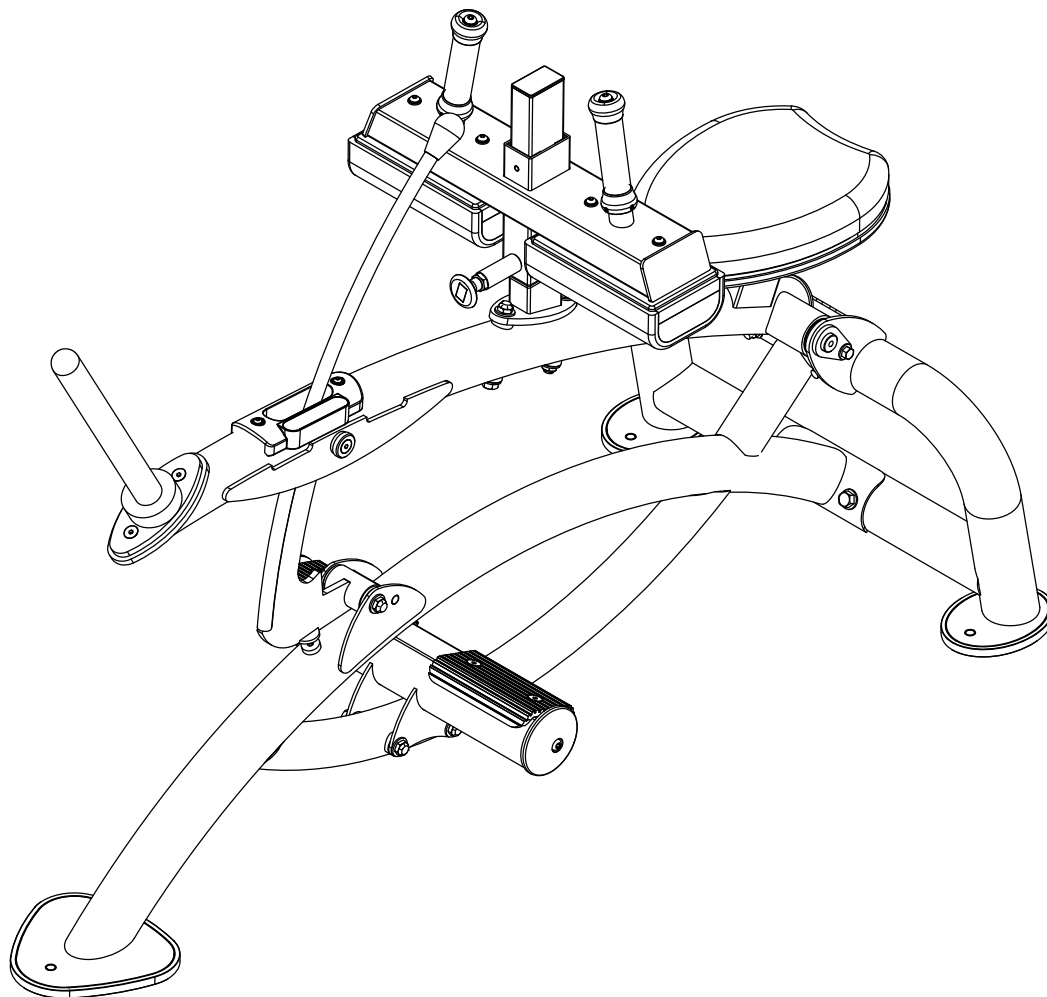


OWNER'S MANUAL



RPL-5363-A CALF RAISE



****WARNING!****
TO PREVENT POSSIBLE TIPPING, BOLT THIS UNIT TO THE EXERCISE FLOOR. FAILURE TO DO SO MAY RESULT IN SERIOUS INJURY OR DEATH.

Note: Both Serial Number and Model Number are Required when Ordering Parts

RECORD SERIAL NUMBER HERE

MACHINE CODE

B01

Customer Service

(800) 548-5438

(858) 578-7676

Fax

(858) 578-9558



www.facebook.com/hoistfitness

OWNER'S MANUAL

CONTENTS

INSTRUCTIONS	02
FRAME ASSEMBLY	04
PRE-ASSEMBLY.....	17
DECAL PLACEMENT.....	18
DECAL REFERENCE.....	19
PART LIST.....	20
ABBREVIATIONS.....	22
BOLT SIZING CHART.....	23
WASHER SIZING CHART.....	25
MAINTENANCE SCHEDULE.....	27
GENERAL MAINTENANCE INFORMATION.....	28
WEIGHT TRAINING TIPS.....	29
EXERCISE LOG.....	30
LIMITED WARRANTY.....	31

OWNER'S MANUAL

INSTRUCTIONS

Before beginning assembly please take the time to read instructions thoroughly. Please use the various lists in this manual to make sure that all parts have been included in your shipment. When ordering, use part number and description from the lists. Use only HOIST replacement parts when servicing. Failure to do so will void your warranty and could result in personal injury.

HOIST equipment is designed to provide the smoothest, most effective exercise motion possible. After assembly, you should check all functions to ensure correct operation. If you experience problems, first recheck the assembly instructions to locate any possible errors made during assembly. If you are unable to correct the problem, call your authorized HOIST dealer. Be sure to have your serial number and this manual when calling. When all parts have been accounted for, continue on.

TOOLS REQUIRED

Ratchet Wrench

1/2", 9/16" and 3/4" Sockets

Adjustable Wrench

Rubber Mallet

Tape Measure

Level

Hex Key Wrench Set

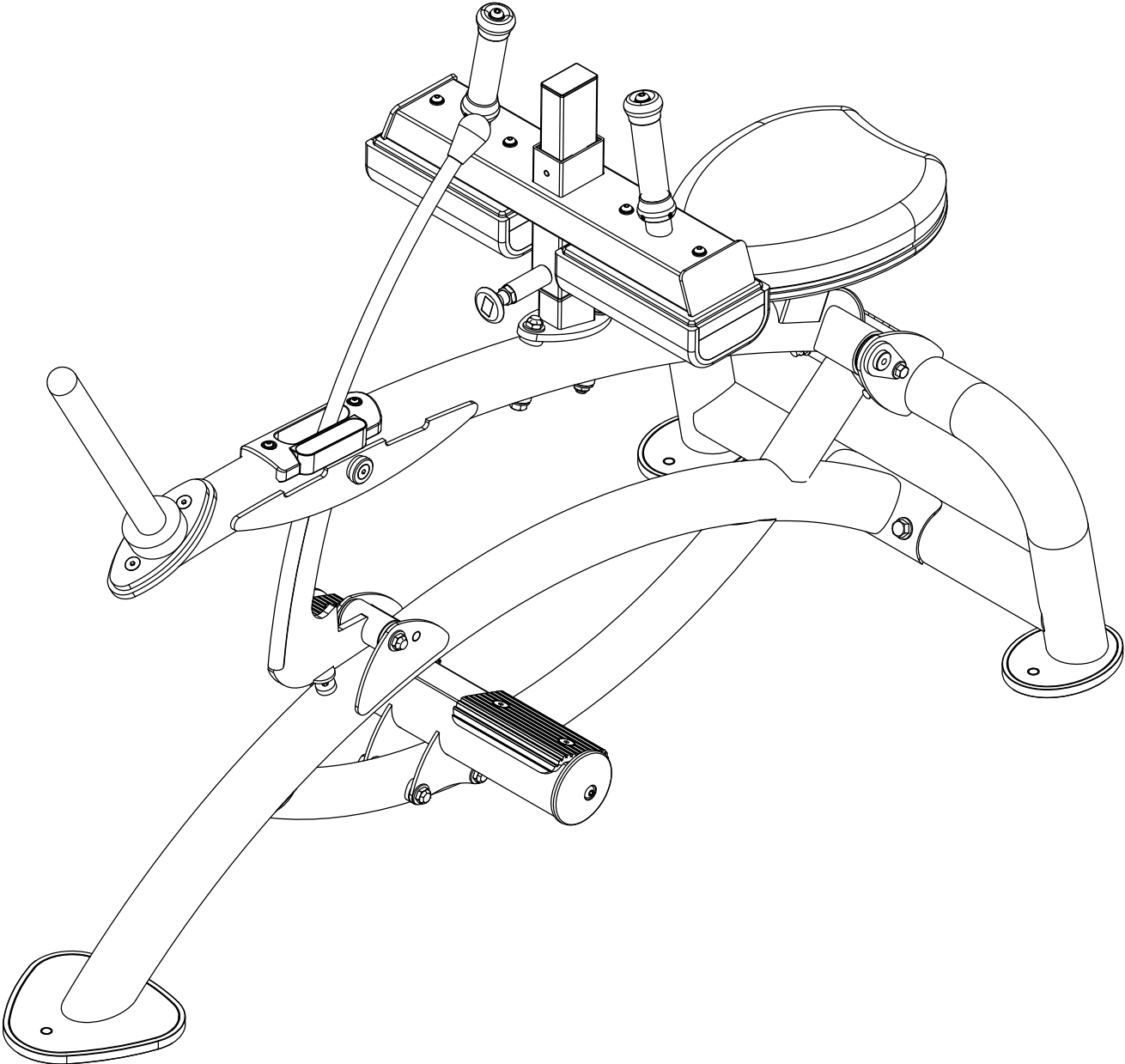
Two People

OWNER'S MANUAL

THIS PAGE WAS INTENTIONALLY LEFT BLANK

OWNER'S MANUAL

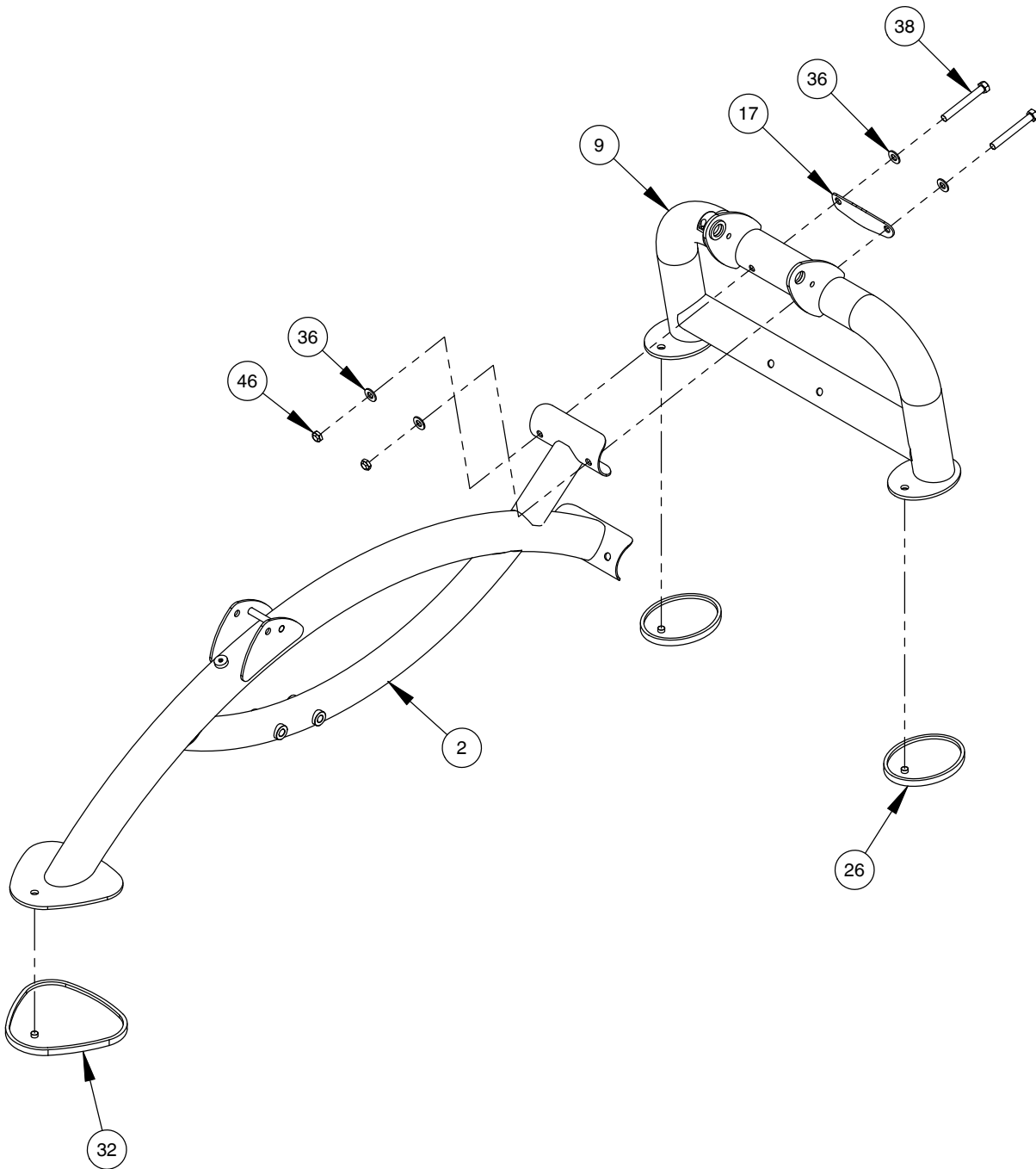
FRAME ASSEMBLY



OWNER'S MANUAL

FRAME ASSEMBLY

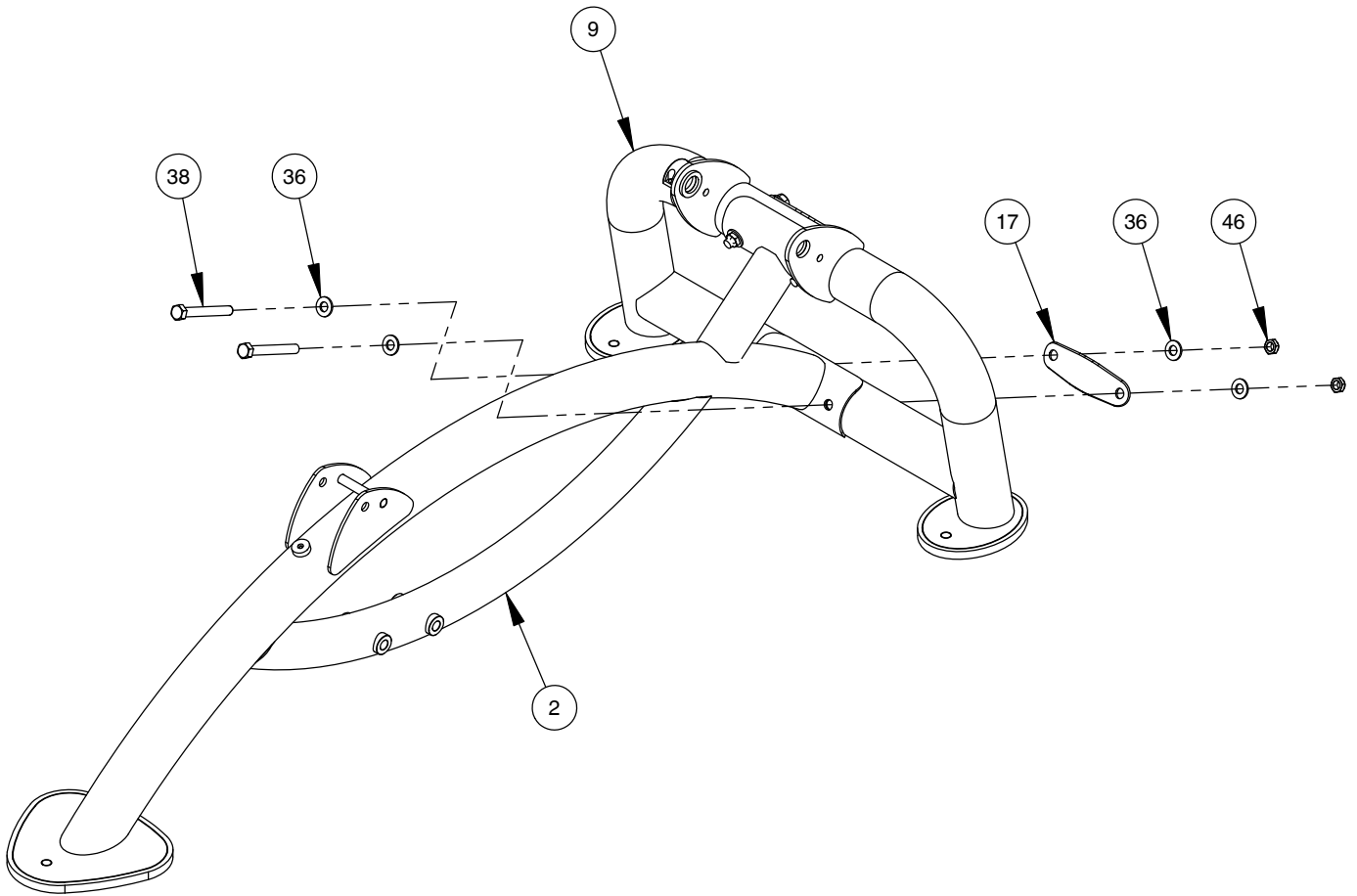
NOTE:
- HAND TIGHTEN HARDWARE.



OWNER'S MANUAL

FRAME ASSEMBLY

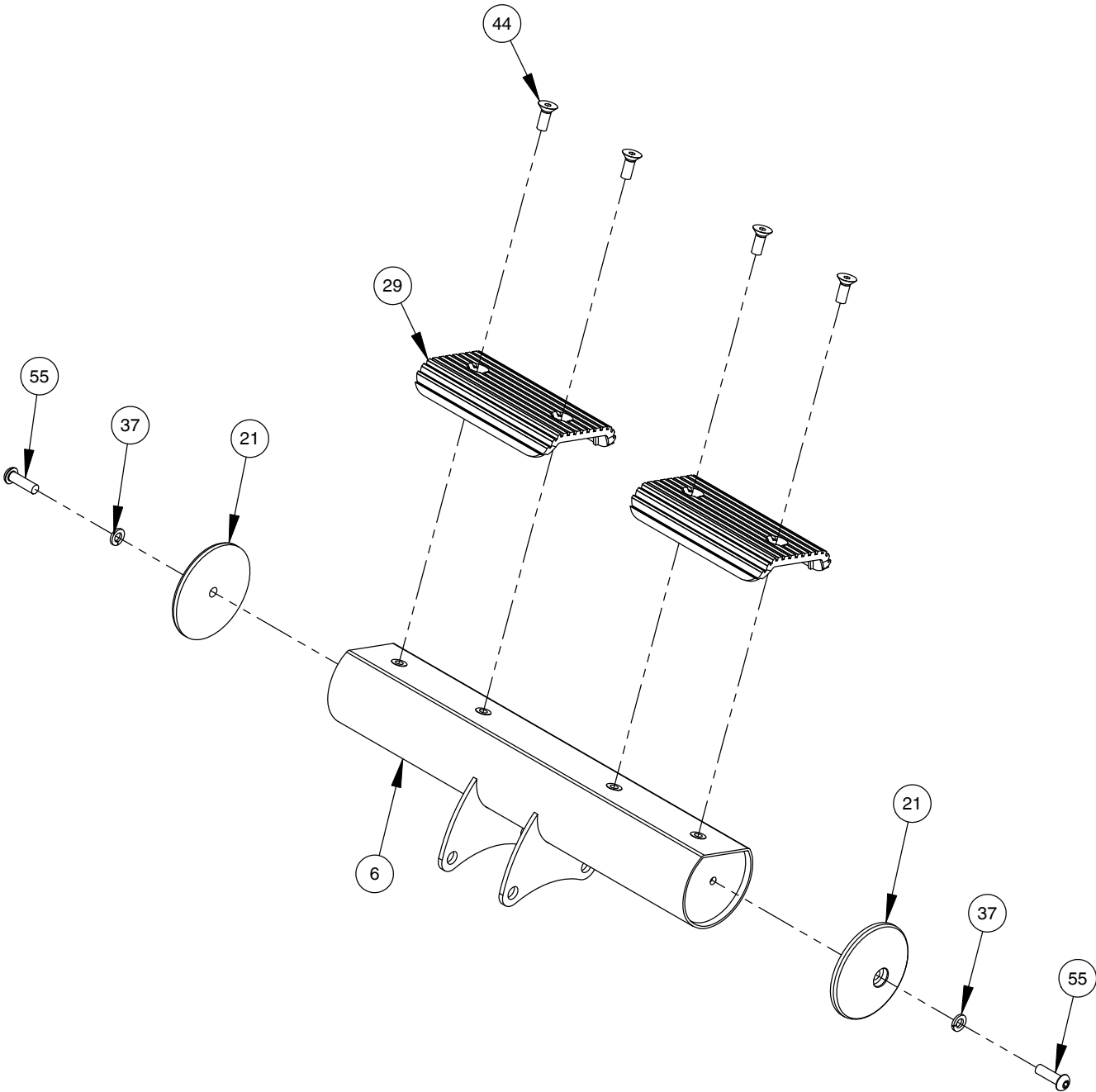
- NOTE:
- WRENCH TIGHTEN HARDWARE.
- WRENCH TIGHTEN ALL PREVIOUSLY
HAND TIGHTENED HARDWARE.



OWNER'S MANUAL

FRAME ASSEMBLY

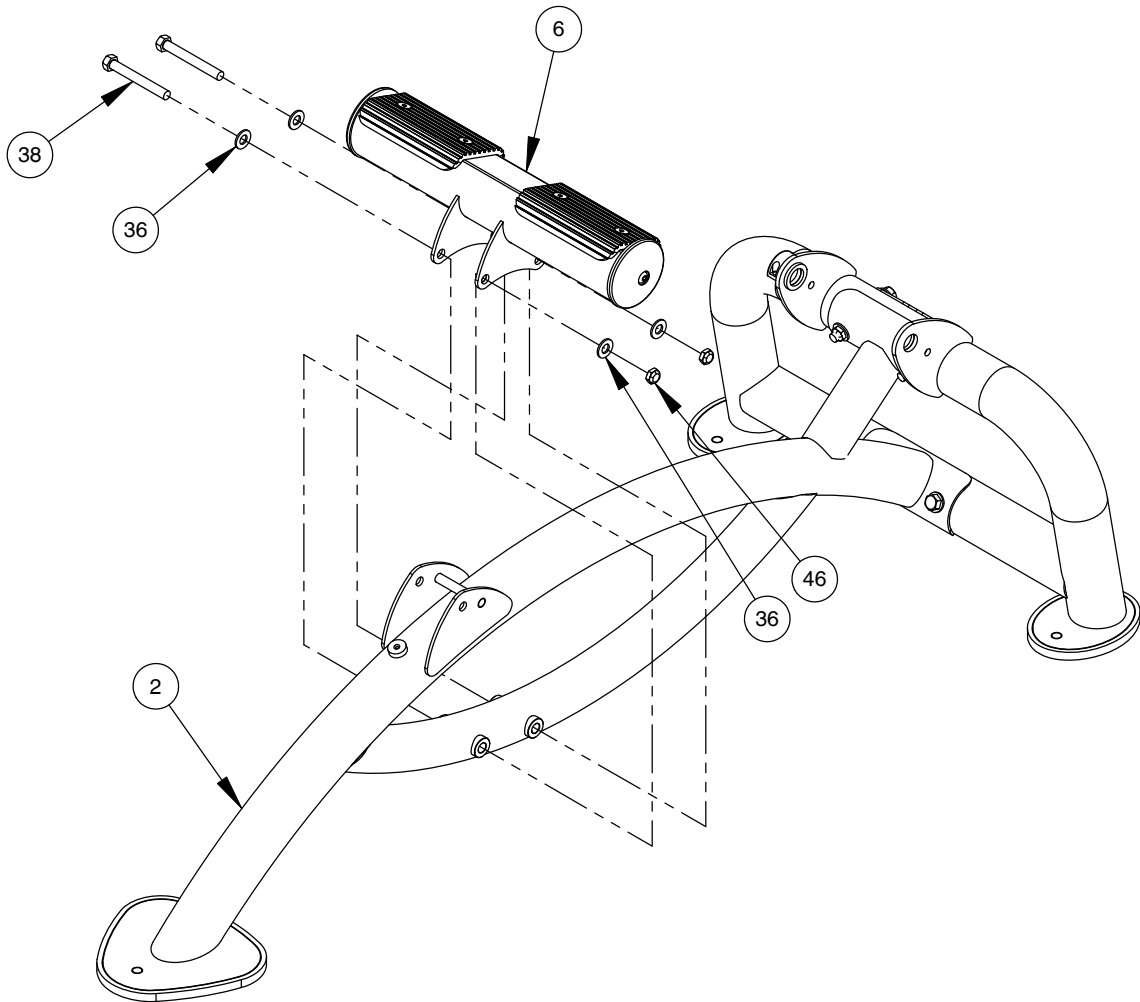
NOTE:
- WRENCH TIGHTEN HARDWARE.



OWNER'S MANUAL

FRAME ASSEMBLY

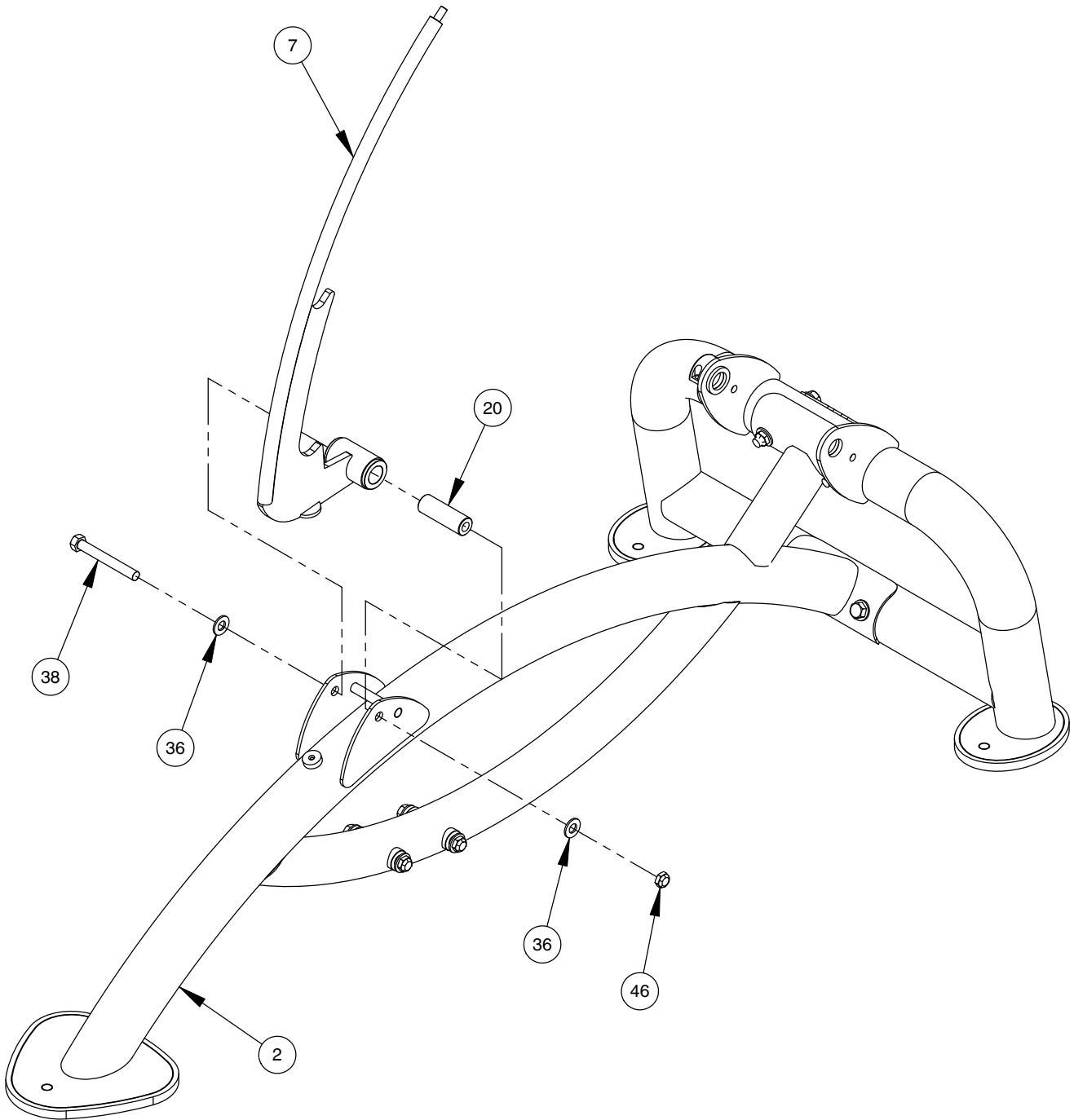
NOTE:
- WRENCH TIGHTEN HARDWARE.



OWNER'S MANUAL

FRAME ASSEMBLY

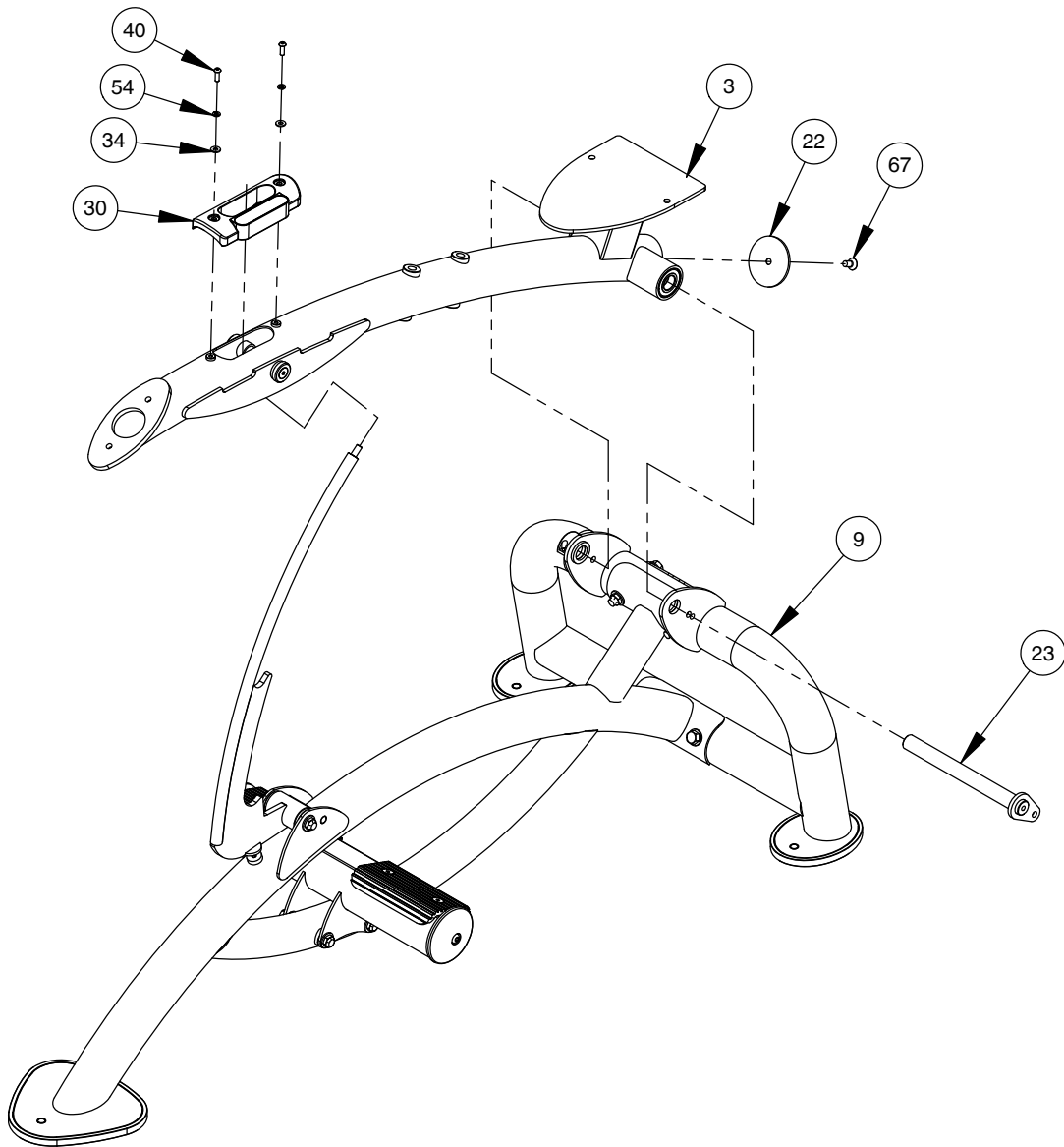
- NOTE:
- WRENCH TIGHTEN HARDWARE (38) THEN LOOSEN NUT JUST ENOUGH FOR (7) TO PIVOT FREELY.
 - SOME PARTS MAY HAVE BEEN REMOVED FOR CLARITY.



OWNER'S MANUAL

FRAME ASSEMBLY

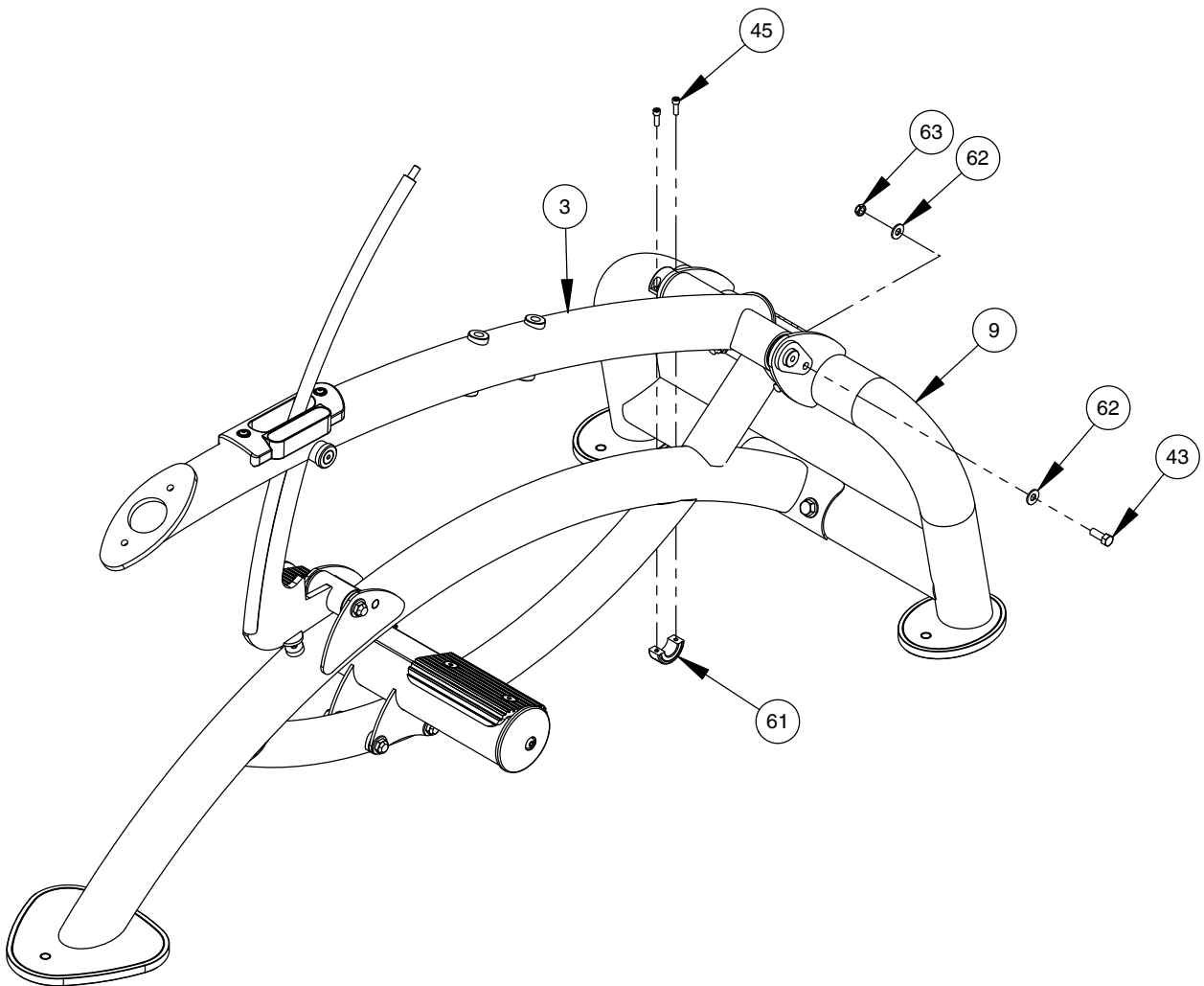
NOTE:
- WRENCH TIGHTEN HARDWARE.



OWNER'S MANUAL

FRAME ASSEMBLY

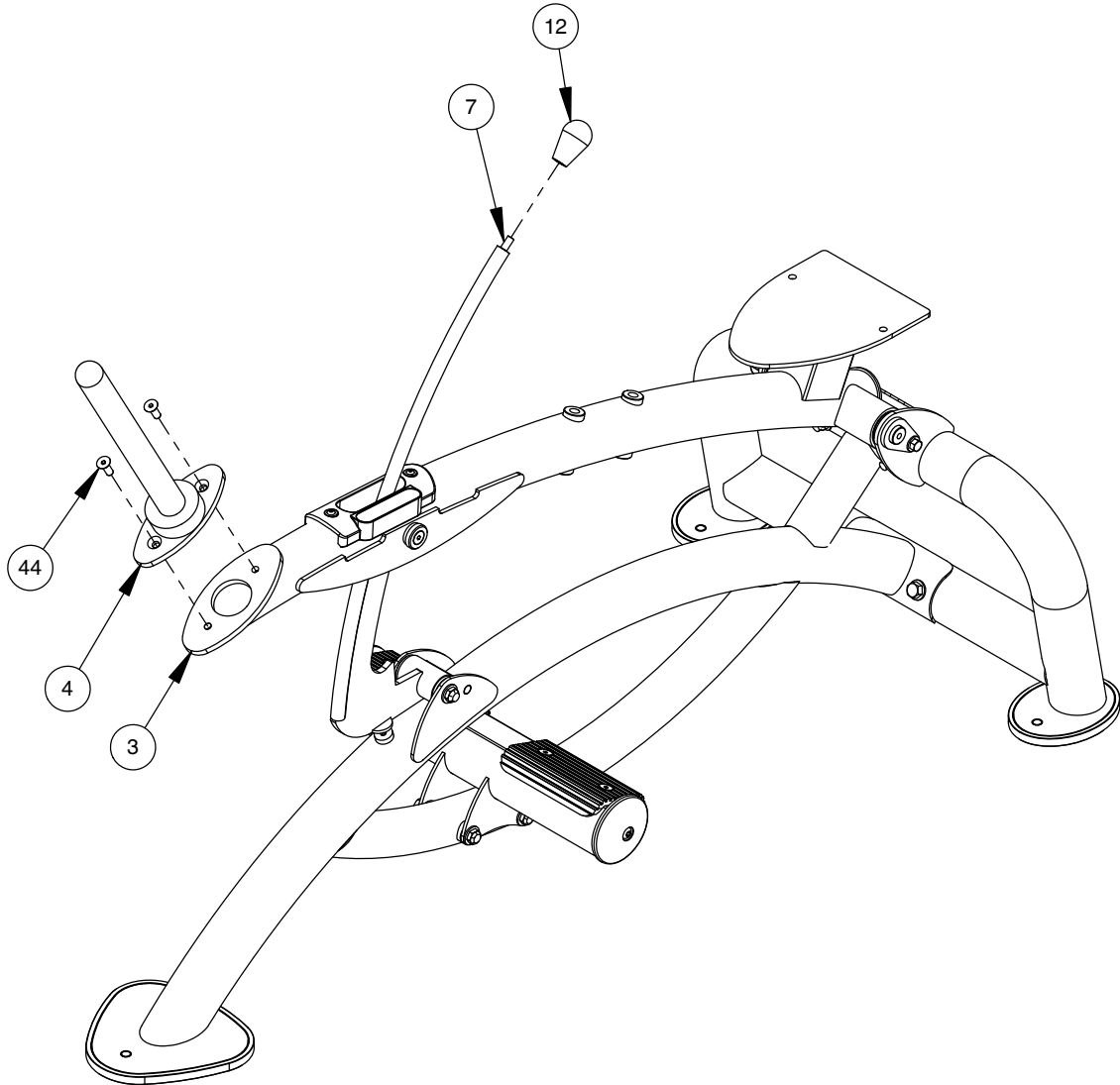
NOTE:
- WRENCH TIGHTEN HARDWARE.
- SOME PARTS MAY HAVE BEEN
REMOVED FOR CLARITY.



OWNER'S MANUAL

FRAME ASSEMBLY

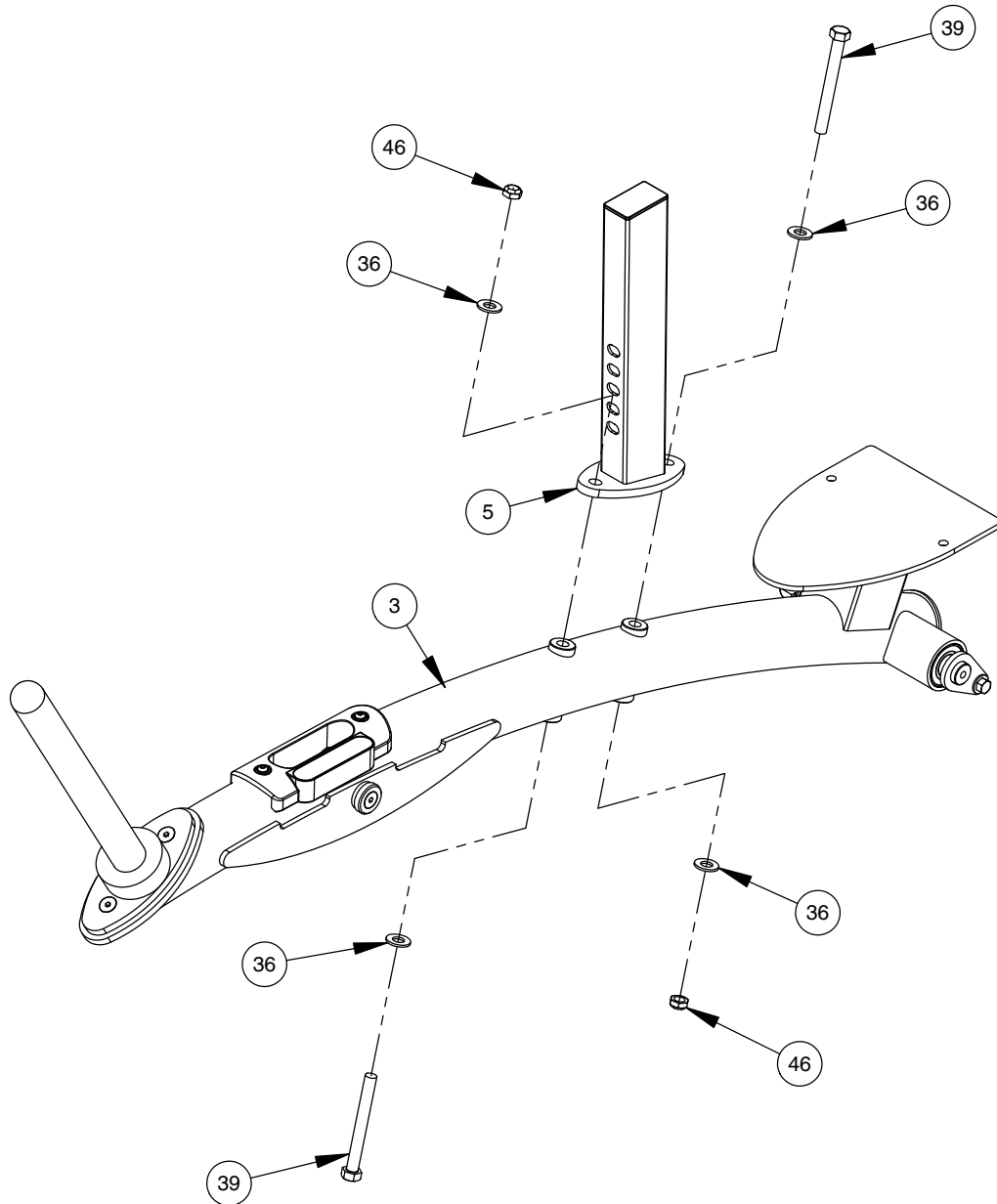
- NOTE:
- WRENCH TIGHTEN HARDWARE.
- HAND TIGHTEN KNOB (12).



OWNER'S MANUAL

FRAME ASSEMBLY

NOTE:
- WRENCH TIGHTEN HARDWARE.
- SOME PARTS MAY HAVE BEEN
REMOVED FOR CLARITY.

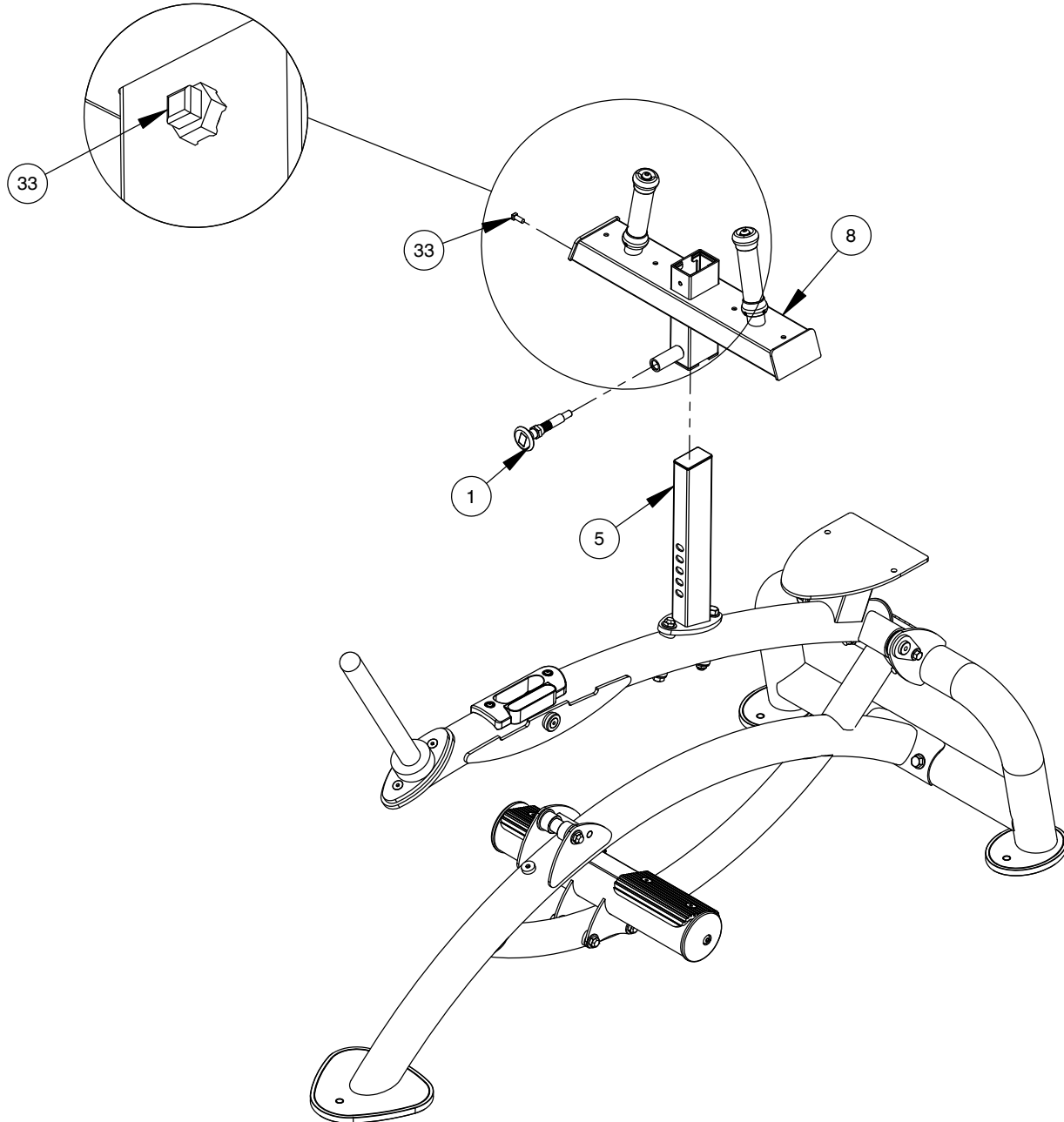


OWNER'S MANUAL

FRAME ASSEMBLY

NOTE:
- WRENCH TIGHTEN HARDWARE.
- SOME PARTS MAY HAVE BEEN
REMOVED FOR CLARITY.

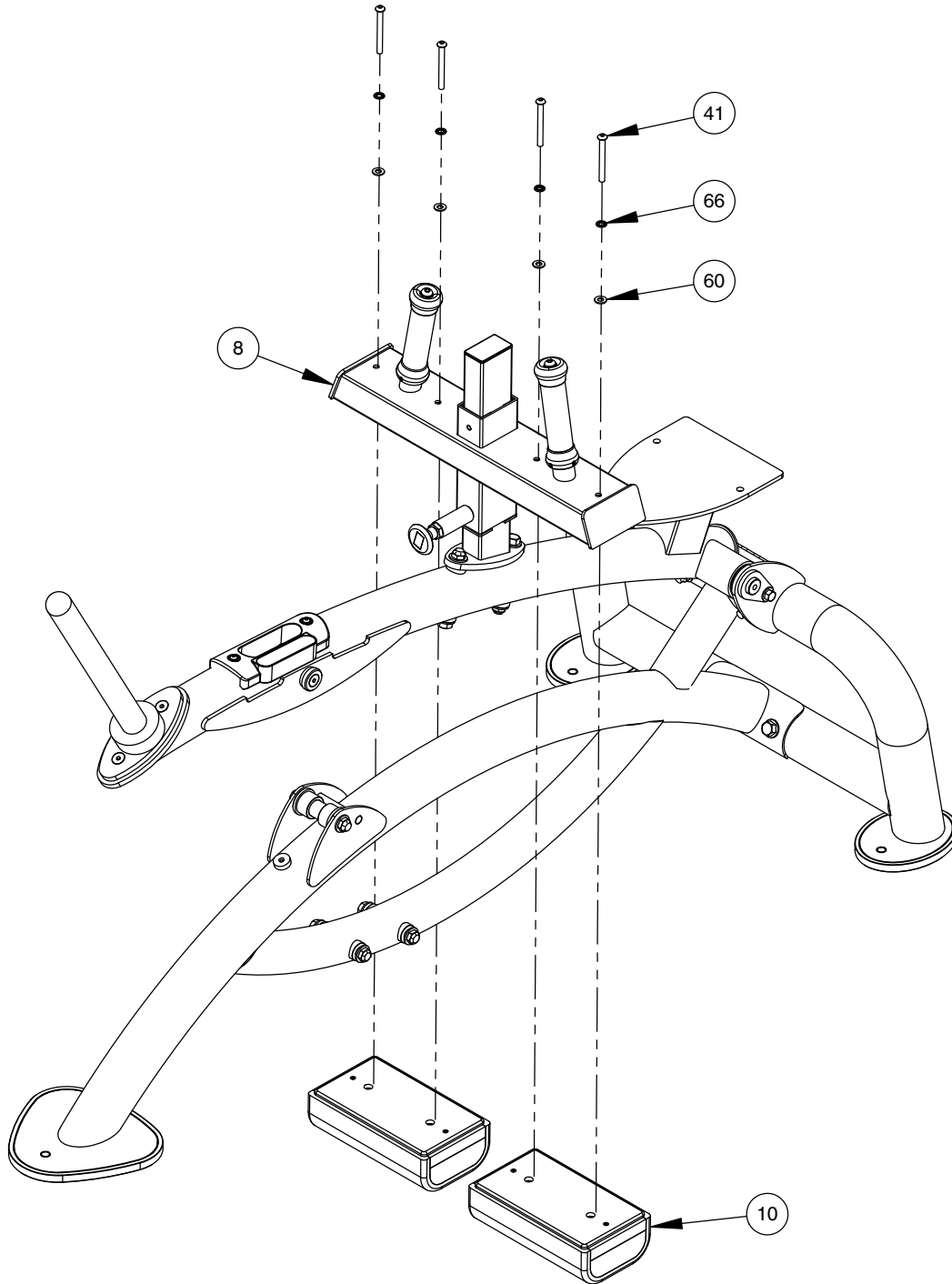
PROPERLY INSTALLED VIEW



OWNER'S MANUAL

FRAME ASSEMBLY

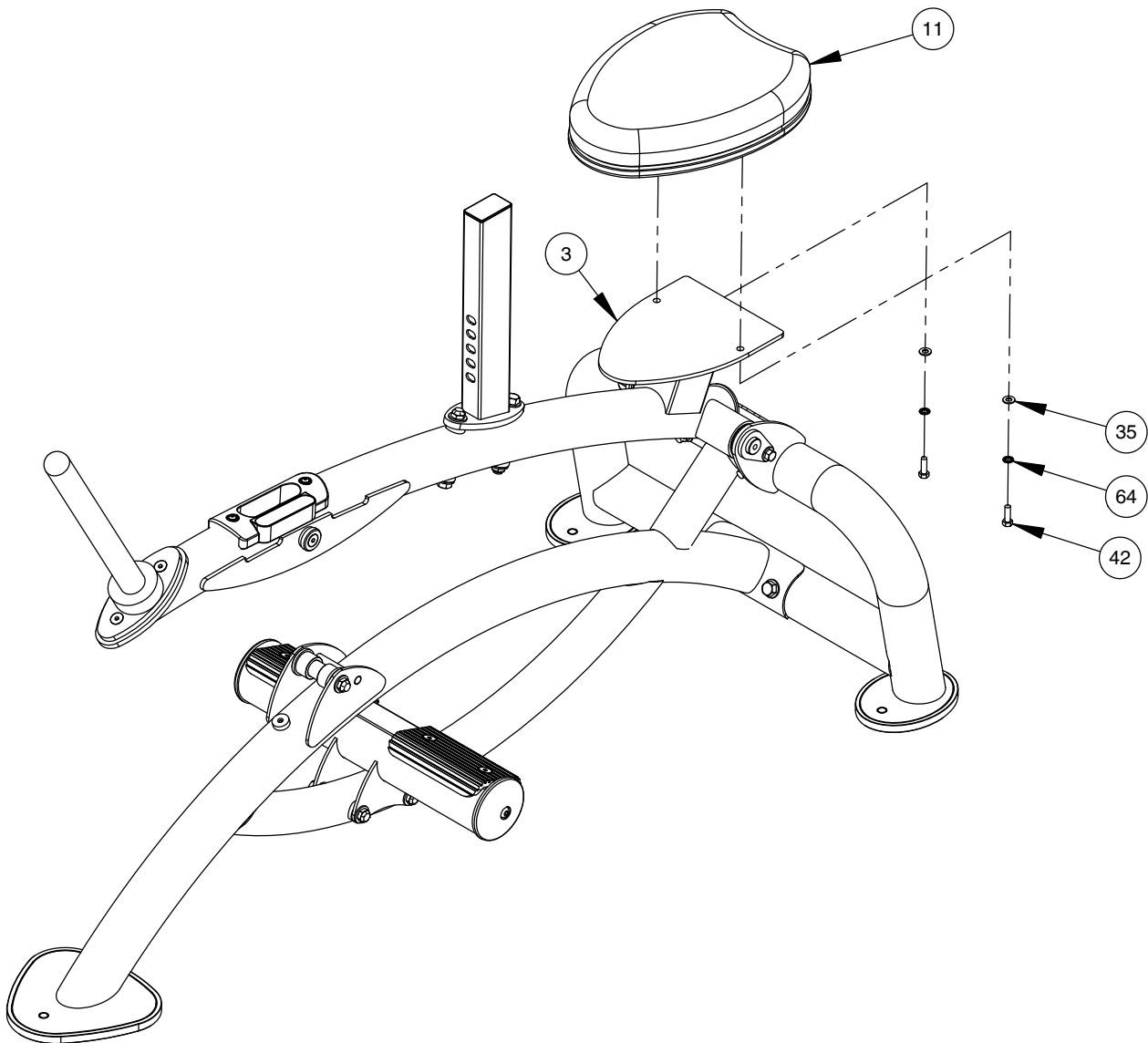
NOTE:
- WRENCH TIGHTEN HARDWARE.
- SOME PARTS MAY HAVE BEEN
REMOVED FOR CLARITY.



OWNER'S MANUAL

FRAME ASSEMBLY

NOTE:
- WRENCH TIGHTEN HARDWARE.
- SOME PARTS MAY HAVE BEEN
REMOVED FOR CLARITY.

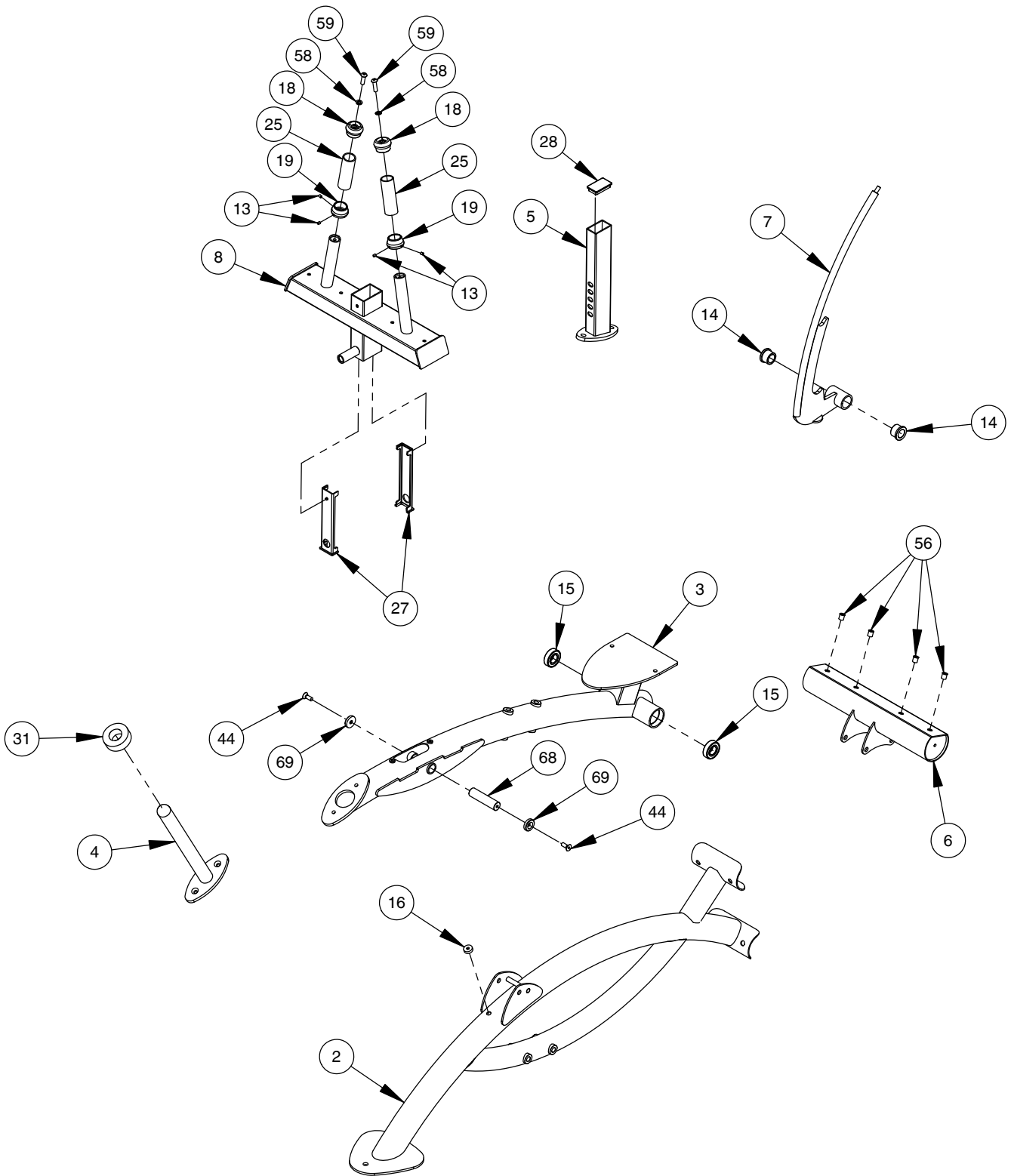


IMPORTANT

NOW THAT THE RPL-5363-A IS COMPLETELY ASSEMBLED TAKE TIME TO ASSURE THAT YOUR UNIT IS ASSEMBLED SQUARE AND PERPENDICULAR. IF NOT, IT WILL BE NECESSARY TO LOOSEN SOME FRAME HARDWARE TO RE-ALIGN THE FRAME AND RETIGHTEN BOLTS.

OWNER'S MANUAL

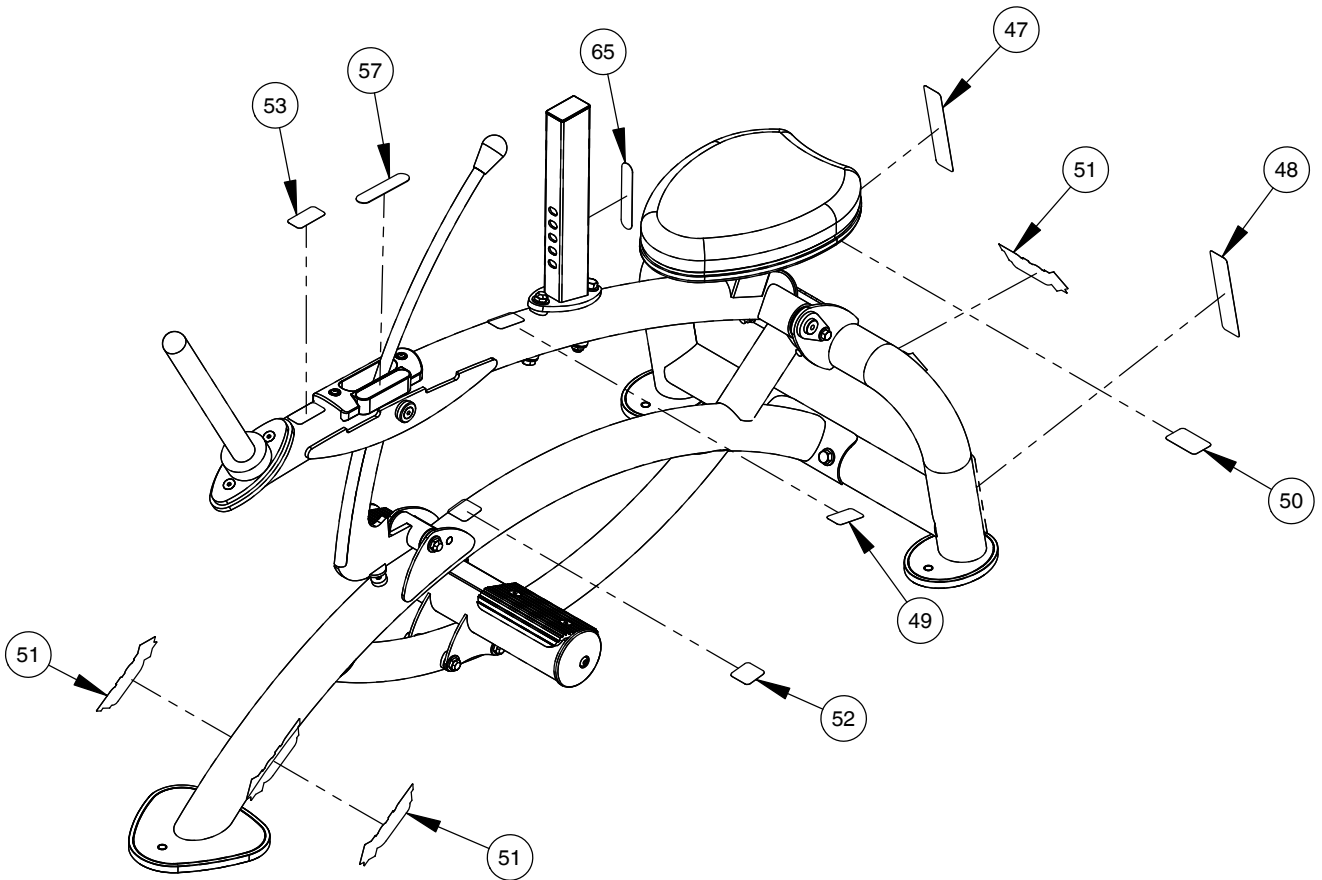
PRE-ASSEMBLY



OWNER'S MANUAL

DECAL PLACEMENT

NOTE:
- SOME PARTS MAY HAVE BEEN
REMOVED FOR CLARITY.



OWNER'S MANUAL

DECAL REFERENCE

WARNING
USE ONLY GENUINE REPLACEMENT PARTS. FAILURE TO DO SO WILL VOID WARRANTY AND COULD RESULT IN PERSONAL INJURY OR EVEN DEATH. THERE IS A RISK ASSUMED BY INDIVIDUALS WHO USE THIS TYPE OF EQUIPMENT TO MINIMIZE THE RISK ALWAYS FOLLOW THESE SIMPLE RULES:

1. READ & UNDERSTAND ALL ENCLOSED INSTRUCTIONS before using this equipment.
2. INSPECT EQUIPMENT BEFORE EACH USE. Replace all parts at the first signs of wear or damage. If in doubt about a certain part, DO NOT use the equipment until the part is replaced. Failure to replace worn or damaged parts may result in injury.
3. FOLLOW ROUTINE MAINTENANCE SCHEDULE
4. CONSULT YOUR PHYSICIAN BEFORE STARTING ANY EXERCISE PROGRAM. Warm up properly, before engaging in weight resistance training. Stop exercising if you feel faint or dizzy.
5. TO PREVENT THE POSSIBILITY OF SERIOUS INJURY, KEEP CLEAR OF ALL MOVING PARTS. Do not attempt to free any jammed part by yourself. Obtain assistance in order to avoid possible injury.
6. Take your time and do not rush the exercise. Practice proper breathing. NEVER hold your breath.
7. CHILDREN SHOULD NOT BE ALLOWED TO USE THIS EQUIPMENT WITHOUT ADULT SUPERVISION. To avoid possible injury, bystanders should be kept at a safe distance when this equipment is in use.
8. CALL YOUR AUTHORIZED DISTRIBUTOR if you have any questions on the proper use or maintenance of this equipment.

021-0003135-6

021-0003135

NOTICE

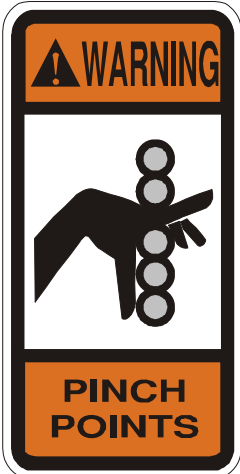
COMMERCIAL MAINTENANCE	Daily	Weekly	Monthly	3 Months	Yearly
Inspect; Links, Pull Pins, Snap Locks, Swivels, Weight Stack Pins	X				
Clean; Upholstery	X				
Inspect; Cables or Belts and their tension	X				
Inspect; Accessory Bars and Handles		X			
Inspect; All Decals		X			
Inspect; All nuts and Bolts tighten if Needed.		X			
Inspect; Anti-Skid Surfaces		X			
Clean & Lubricate; Guide Rods with a Teflon (PTFE) based lubricant (Superlube)			X		
Lubricate; Seat Sleeves, Turcite Bushings, Linear Bearing			X		
Clean & Wax; All Glossy Finishes				X	
Repack with Grease Linear Bearings				X	
Replace; Cables, Belts and Connecting Parts.					X

021-0003135-7

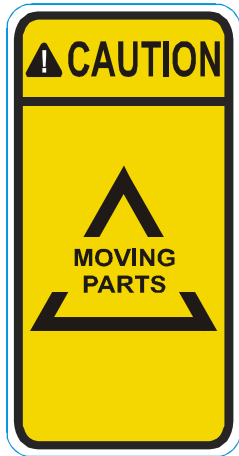
021-0003008

- 1
- 2
- 3
- 4
- 5

021-0003544



021-0003322



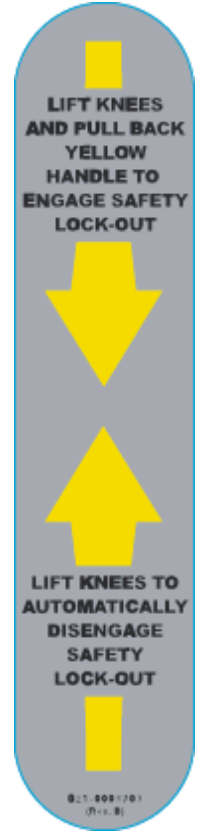
021-0003543



021-0003227



SERIAL # DECAL



021-0003703



021-0003230

OWNER'S MANUAL

PART LIST

NOTE: SOME OF THESE PARTS MAY COME PRE-INSTALLED

ITEM NO.	PART NUMBER	DESCRIPTION	QTY.
1	026-01X0186	PULL-PIN ASSEMBLY	1
2	026-01X4001	MAIN FRAME ASSEMBLY	1
3	026-01X3843	SEAT ASSEMBLY	1
4	026-01X4004	WEIGHT HORN	1
5	026-01X3687	ADJUSTER TUBE	1
6	026-01X4007	FOOT PAD MOUNT ASSEMBLY	1
7	026-01X4009	LOCKOUT ARM ASSEMBLY	1
8	026-01X3679	THIGH-PAD MOUNT	1
9	026-01X3710	REAR FOOT ASSEMBLY	1
10	022-01PD2111-A	UPHOLSTERY PAD	2
11	022-01PD2054-A	SEAT PAD ASSEMBLY	1
12	020-0007004	KNOB - OVAL	1
13	011-0411001	SET SCREW: 1/4"-28 X .25" LG. (SS)	4
14	014-0101005	BUSHING: OILITE FLANGED Ø1.38" O.D. X Ø1.00" I.D. X .81" LG.	2
15	014-0012014	BEARING: FLANGELESS - 25mm I.D.	2
16	019-0001001	PLUG BUMPER	1
17	026-01F0300	FLNG-B, .188" X Ø3.00" X 6.25" LG.	2
18	026-01M0932	ALUMINIUM CAP: Ø1.25" ID	2
19	026-01M0933	ALUMINUM RING: Ø1.25" ID	2
20	026-01M1032	SHAFT Ø 1.00" X 2.97" LG.	1
21	026-01M2276	END CAP DOMED	2
22	026-01M2279	END CAP FLAT	1
23	026-01X3536	SHAFT, ROCKING LINK	1
25	026-01PL0235-12	GRIP OPEN END Ø 1.25" X 4.25" LG.	2
26	026-01PL2122-B	OVAL-SHAPED RUBBER FOOT	2
27	026-01PL0125	E-Z GLIDE PLASTIC SLEEVE	2
28	016-0001003	END CAP 1.50" X 2.50" (BLACK)	1
29	026-01PL2303	FOOT PLATE PLASTIC 7.00" X 4.37"	2
30	026-01PL2310	SLOT COVER	1
31	026-01PL0264	WEIGHT HORN RUBBER DONUT	1
32	026-01PL2319	RUBBER FOOT 8.41" X 9.13"	1
33	011-0311013	3/8-16UNC X .75" SQUARE HEAD (WZ)	1
34	013-0002003	1/4" X 16mm SAE FLAT WASHER (WZ)	2
35	013-0302008	5/16" SAE FLAT WASHER (WZ)	2

OWNER'S MANUAL

PART LIST CONTINUED

NOTE: SOME OF THESE PARTS MAY COME PRE-INSTALLED

ITEM NO.	PART NUMBER	DESCRIPTION	QTY.
36	013-0102003	1/2" X 27mm SAE FLAT WASHER (WZ)	18
37	013-0102020	3/8" SPLIT LOCK WASHER (WZ)	2
38	011-0407047	1/2"-13UNC X 4.00" HHB (WZ)	7
39	011-0207030	1/2"-13UNC X 4.50" HHB (WZ)	2
40	011-0102008	1/4"-20UNC X .75" BHCS (WZ)	2
41	011-0401011	5/16"-18UNC X 3.00" BHB (SS)	4
42	011-0107029	5/16"-18UNC X 1.00" HHB (WZ)	2
43	011-0407022	3/8"-16UNC X 1.00" HHB (WZ)	1
44	011-0002042	3/8"-16UNC X 1.00" FHCS (WZ)	8
45	011-0007097	1/4"-20UNC X .75" SHCS (BZ)	2
46	012-0304011	1/2"-13 UNC THIN NYLOCK NUT (WZ)	9
47	021-0003135	DECAL WARNING 1.50" X 6.69"	1
48	021-0003008	DECAL COMMERCIAL MAINTENANCE 1.50 X 6.69	1
49	021-0003322	DECAL PINCH POINT 1.25" X 2.31" (VERTICAL)	1
50	SERIAL # DECAL	DECAL HOIST SERIAL # 1.63" X 2.63"	1
51	021-0003230	DECAL HOIST 1.625" X 6.0613"	3
52	021-0003227	DECAL 500 LB. WEIGHT RATING (1.625" X 1.625")	1
53	021-0003543	DECAL MOVING PARTS 1.20" X 2.38" (VERTICAL)	1
54	013-0102029	1/4" SPLIT LOCK WASHER (WZ)	2
55	011-0101034	3/8"-16UNC X 1.25" BHCS (WZ)	2
56	014-0014002	3/8-16 FLUSH MOUNT INSERT	4
57	021-0003703	DECAL RPL-5363 DISENGAGE ENGAGE	1
58	013-0402011	3/8" SPLIT LOCK WASHER (SS)	2
59	011-0401002	3/8"-16UNC X 1.25" BHCS (SS)	2
60	013-0402010	5/16" SAE FLAT WASHER (SS)	4
61	014-0019005-1	T SPLIT COLLAR THREADED ϕ 1.00" I.D. X 20mm	1
62	013-0402007	3/8" X 22mm FLAT WASHER (WZ)	2
63	012-0104008	3/8"-16 UNC THIN NYLOCK NUT (WZ)	1
64	013-0102007	5/16" INTERNAL LOCK WASHER (WZ)	2
65	021-0003544	DECAL ADJUST 1-5 VERTICAL TXT.	1
66	013-0406001	5/16" INTERNAL LOCK WASHER (SS)	4
67	011-0002032	3/8"-16UNC X .75" FHCS (WZ)	1
68	026-01M2956	SHAFT ϕ 1.00" X 3.94"	1
69	026-01M0240	1.38" DIA. ALUMINUM FLATHEAD CAP	2

OWNER'S MANUAL

ABBREVIATIONS

BZ = Black Zinc

WZ = White Zinc

SS = Stainless Steel

HHB = Hex Head Bolt

FHCS = Flat Head Cap Screw

BHCS = Button Head Cap Screw

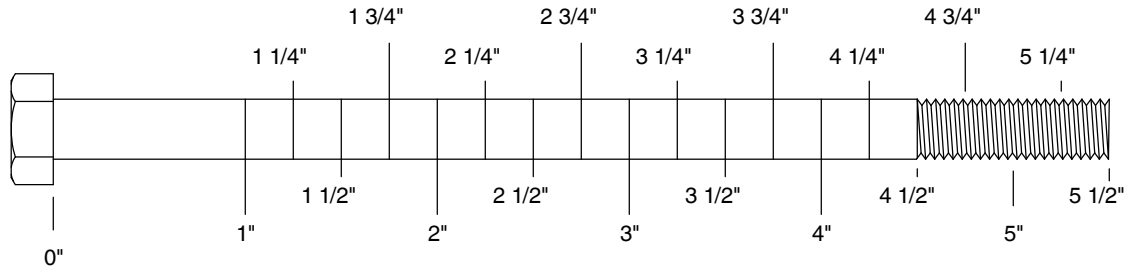
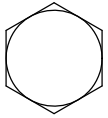
SHCS = Socket Head Cap Screw

SHSS = Socket Head Shoulder Screw

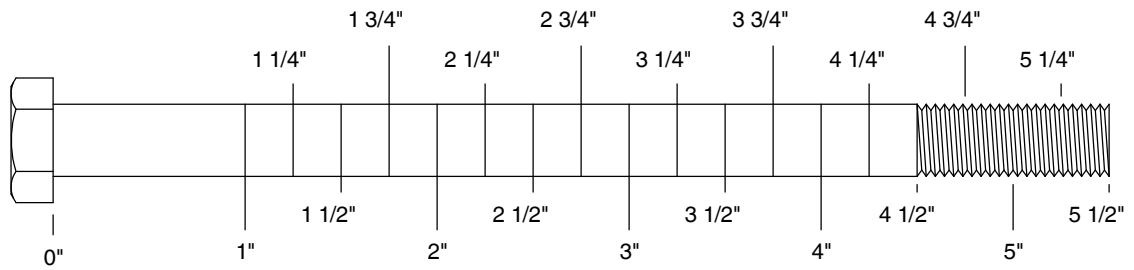
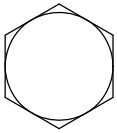
OWNER'S MANUAL

BOLT SIZING CHART

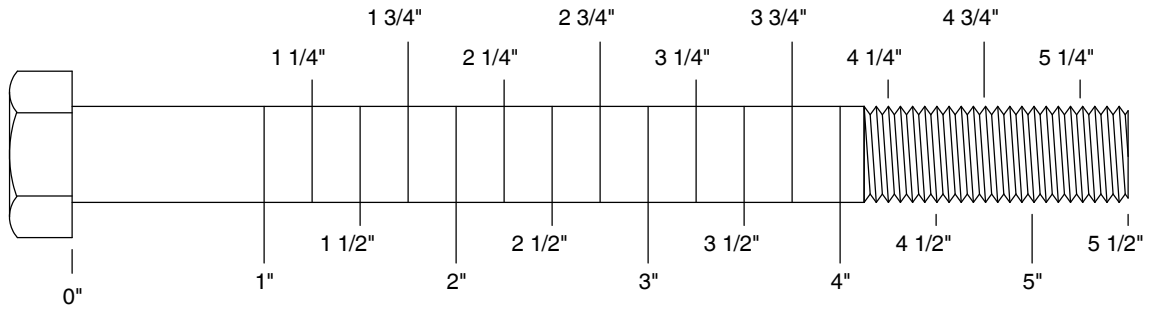
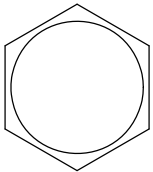
5/16" HHB



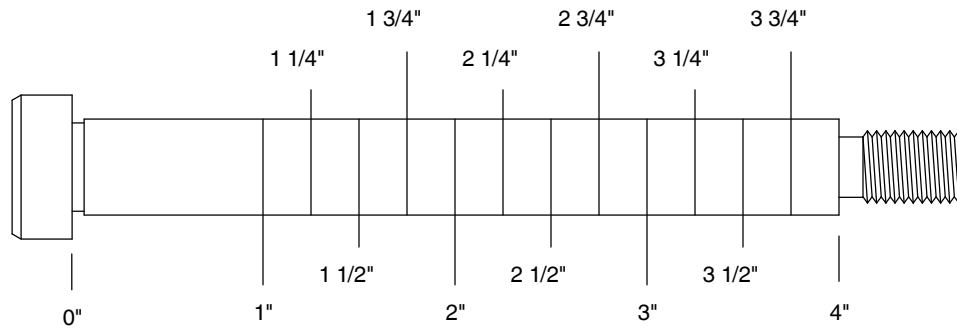
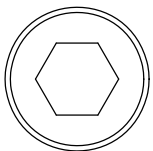
3/8" HHB



1/2" HHB

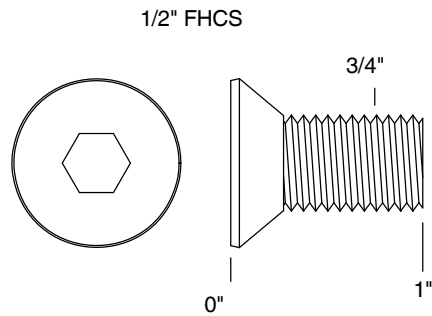
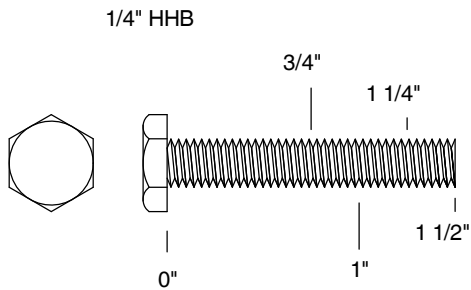
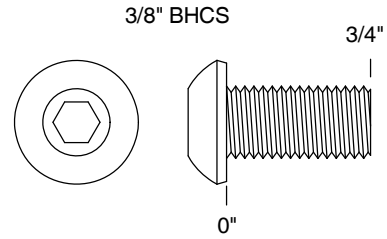
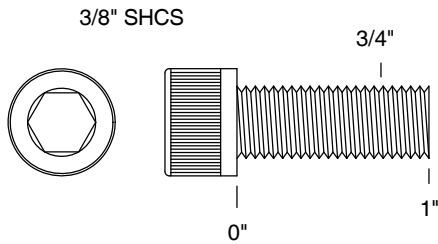
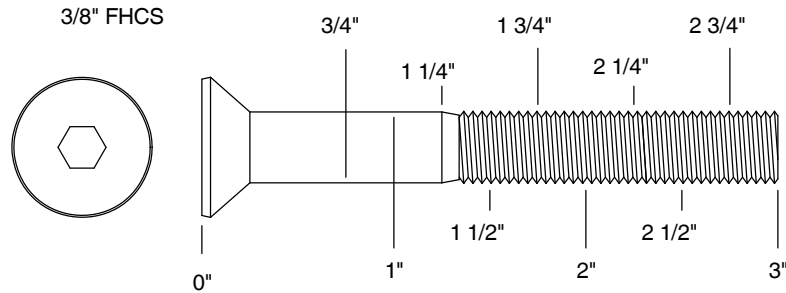


1/2" SHSS



OWNER'S MANUAL

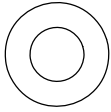
BOLT SIZING CHART (CONTINUED)



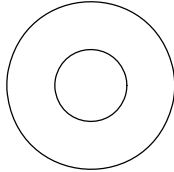
OWNER'S MANUAL

WASHER SIZING CHART

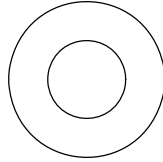
013-0002003
1/4"
FLAT WASHER
SMALL, SAE, 13mm



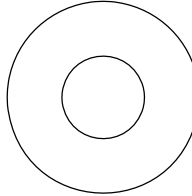
013-0102004
5/16"
FLAT WASHER
LARGE, USS, 22mm



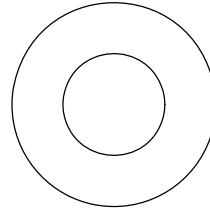
013-0002004
3/8"
FLAT WASHER
SMALL, SAE, 21mm



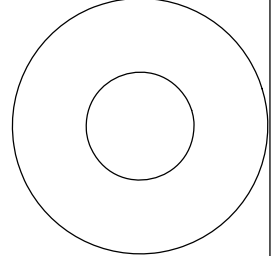
013-0402005
3/8"
FLAT WASHER
LARGE, USS, 25mm



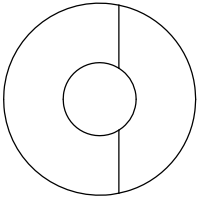
013-0102003
1/2"
FLAT WASHER
SMALL, SAE, 27mm



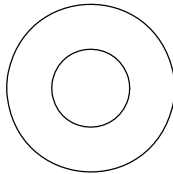
013-0102026
1/2"
FLAT WASHER
LARGE, USS, 34mm



013-0102028
3/8"
CURVED WASHER



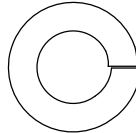
013-0402007
3/8"
FLAT WASHER
22mm O.D.



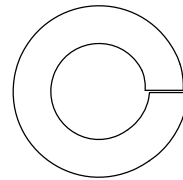
013-0102019
1/4"
LOCK WASHER



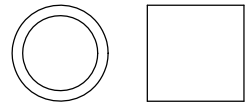
013-0102020
3/8"
LOCK WASHER



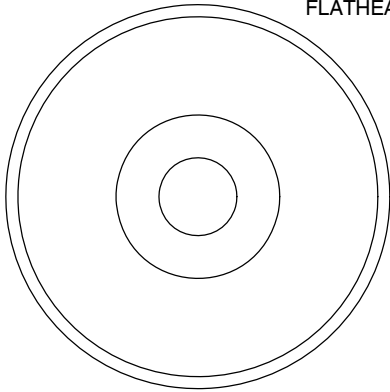
013-0102018
1/2"
LOCK WASHER



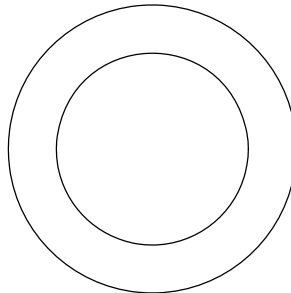
014-0018001
1/2" LONG
SPACER



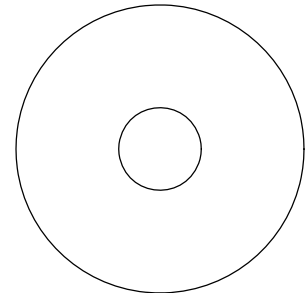
026-01M0238
2" ALUMINUM
FLATHEAD CAP



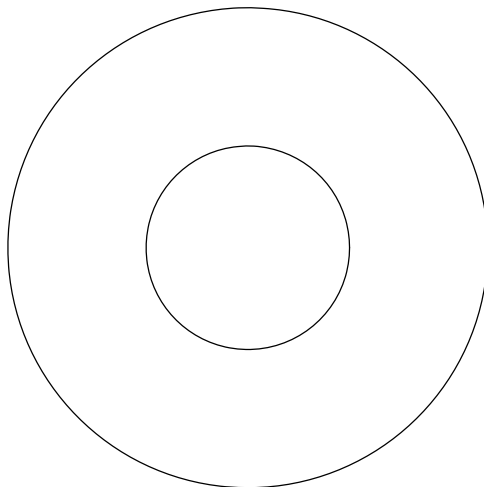
016-0009003
1" SHIM WASHER



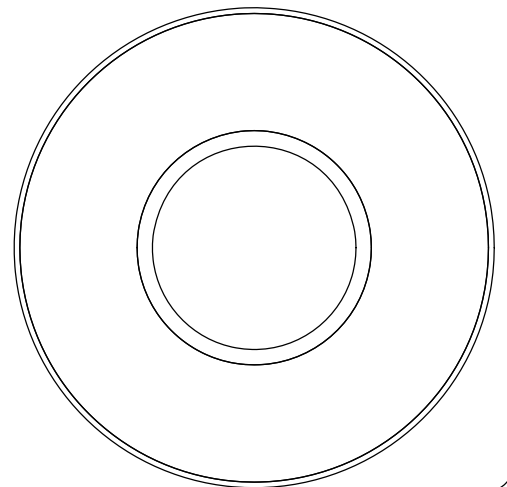
013-0003002
3/8" FENDER WASHER



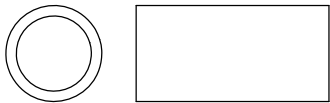
013-0003004
1 1/16"
FENDER WASHER



026-01PL151
PLASTIC 1 1/16"
FENDER WASHER



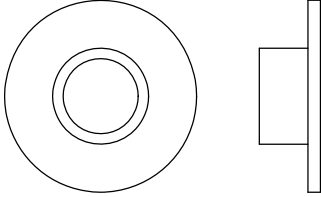
014-0018002
1" LONG
SPACER



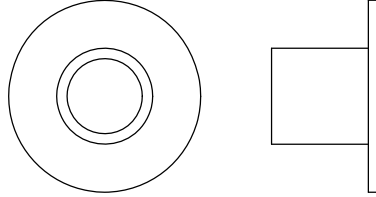
OWNER'S MANUAL

WASHER SIZING CHART (CONTINUED)

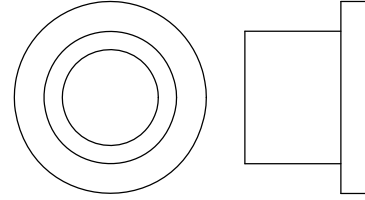
026-01M0211
1/4" LONG
FLANGED SPACER



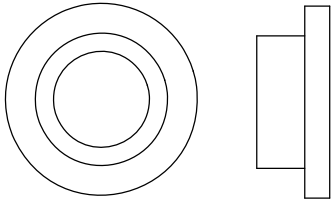
026-01M0198
1/2" LONG
FLANGED SPACER



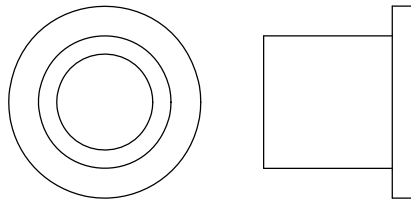
026-01M0760
1/2" LONG HEAVY
FLANGED SPACER



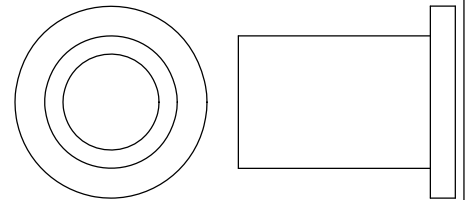
026-01M211T
1/4" LONG HEAVY
FLANGED SPACER



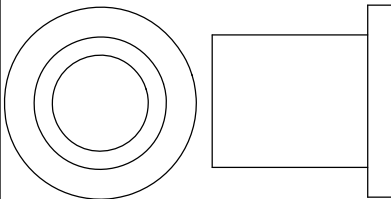
026-01M0532
11/16" LONG HEAVY
FLANGED SPACER



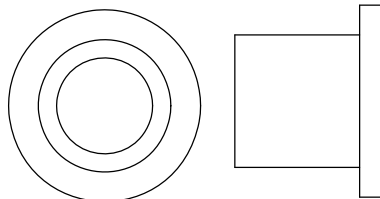
026-01M0551
1" LONG HEAVY
FLANGED SPACER



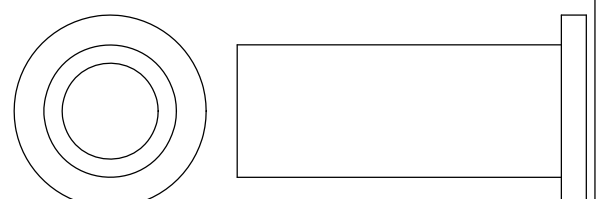
026-01M0788
.81" LONG HEAVY
FLANGED SPACER



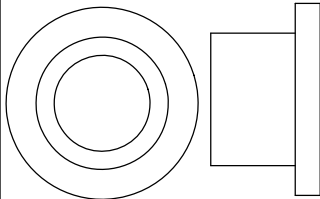
026-01M0780
.65" LONG HEAVY
FLANGED SPACER



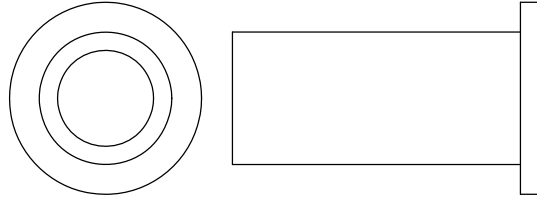
026-01M0761
1 11/16" LONG HEAVY
FLANGED SPACER



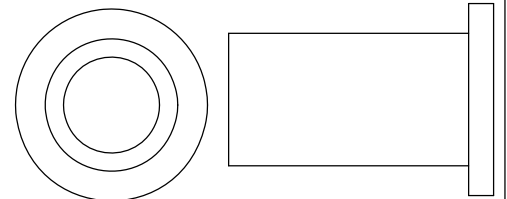
026-01M0789
.44" LONG HEAVY
FLANGED SPACER



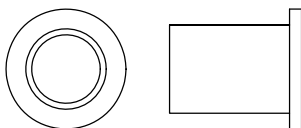
026-01M0762
1 1/2" LONG HEAVY
FLANGED SPACER



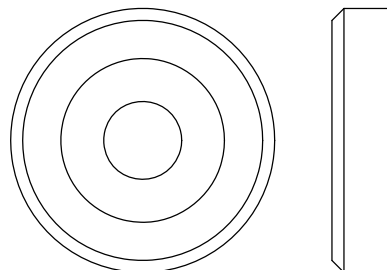
026-01M0768
1 1/4" LONG HEAVY
FLANGED SPACER



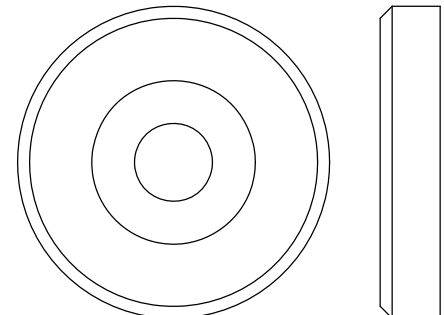
026-01M0600
.625" LONG
FLANGED SPACER



026-01M0240
1 3/8" ALUMINUM
FLATHEAD CAP



026-01M0239
1 5/8" ALUMINUM
FLATHEAD CAP



OWNER'S MANUAL

MAINTENANCE SCHEDULE

ROUTINE	COMMERCIAL MAINTENANCE	HOME MAINTENANCE	LATEST DATE ENTRY																	
Inspect; Links, Pull Pins, Snap Locks, Swivels, Weight Stack Pins	DAILY	WEEKLY																		
Clean; Upholstery	DAILY	WEEKLY																		
Inspect; Cables or Belts and their tension	DAILY	WEEKLY																		
Inspect; Accessory Bars, and Handles	WEEKLY	3 MONTHS																		
Inspect; All Decals	WEEKLY	3 MONTHS																		
Inspect; All Nuts and Bolts, Tighten if needed	WEEKLY	3 MONTHS																		
Inspect; Anti-Skid Surface	WEEKLY	3 MONTHS																		
Clean & Lubricate; Guide Rods with a Teflon (PTFE) based lubricant (Superlube)	MONTHLY	3 MONTHS																		
Lubricate; Seat Sleeves, Turcite Bushings, Linear Bearing	MONTHLY	3 MONTHS																		
Clean and Wax; All Glossy Finishes	6 MONTHS	YEARLY																		
Repack with Grease; Linear Bearings	6 MONTHS	YEARLY																		
Replace; Cables, Belts and Connecting Parts	YEARLY	3 YEARS																		

*Your equipment comes with a commercial maintenance decal.
For personal, in home use, please follow the home maintenance schedule listed above.*

OWNER'S MANUAL

HOIST FITNESS SYSTEMS GENERAL MAINTENANCE INFORMATION

Links, Pull-Pins, Snap Hooks, Swivels, Weight Stack Pins:

- *Check all pieces for signs of visible wear or damage.
- *Check springs in snap hooks and pull-pins for proper tension and alignment.
- *If the spring sticks or has lost its rigidity, replace it immediately.

Upholstery:

- *To ensure prolonged upholstery life and proper hygiene, all upholstered pads should be wiped down with a damp cloth after every workout.
- *Periodically take the time to use a mild soap or an approved vinyl upholstery cleaner to deter the onset of cracking or drying. Avoid using any abrasive cleaners or cleaners not intended for use on vinyl.
- *Replace ripped or worn upholstery immediately.
- *Keep sharp or pointed objects clear of all upholstery.

Decals:

- *Inspect and familiarize yourself with any safety warnings or other user information posted on each decal.

Nuts and Bolts:

- *Inspect all nuts and bolts for any loosening and tighten if needed.
- *Go through a re-tightening sequence periodically to ensure that all hardware is tensioned proper.

Anti-Skid Surfaces:

- *These surfaces are designed to supply secure footing and need to be replaced if they appear worn or become slippery.

Belts and Cables:

- *Hoist uses only high quality belt, and mil-spec cables.
- *Visually inspect the belts and cables for fraying, cracking, peeling or discoloration.
- *While the machine is not in use, carefully run your fingers along the belt or cable to feel for thinning or bulging areas.
- *Replace belts and cables immediately at the first signs of damage or wear. Do not use equipment until belts or cables have been replaced.

Belt and Cable Tension:

- *Referring to the Owners Manual, when belts or cables are used check all bolts attachments to be sure they are properly attached.
- *Check slack in cables and re-adjust cable tension if needed.

Seat Sleeves, Guide Rods:

- *Wipe down adjusting tubes with a dust free rag before applying lubricant.
- *Lubricate seat sleeves and Guide Rods with a Silicon or Teflon based lubricant spray.

Linear Bearings:

- *Referring to the Owners Manual carefully disassemble the bearing from its housing and place a finger full of light grease (lithium, super lube, etc.) into the inside of the bearing. Using your finger, press the grease into the ball-bearings and their tracks. repeat until the ball-bearing tracks are full of grease. Insert the shaft back into the bearing and wipe off excess grease.

PLEASE KEEP THIS FOR YOUR RECORDS

OWNER'S MANUAL

WEIGHT TRAINING TIPS

Use this manual to guide you through the basic exercises you can perform on your RPL-5363-A HOIST® Fitness System. To gain maximum results and avoid possible injury, consult a fitness professional to develop your complete exercise program.

Always consult your physician before starting any exercise program.

To be successful in your exercise program, it is important to develop an understanding of the basic principles of strength training. Now that you have your RPL-5363-A HOIST® Fitness System, it is only natural that you want to get started immediately. First, determine a set of realistic goals and objectives for yourself. By deciding on an exercise plan that is right for you prior to starting, you will contribute significantly to your success.

Warm up properly before engaging in weight resistance training. Stretching, yoga, jogging, calisthenics or other cardiovascular exercise can help prepare your body for the heavier workload of lifting weights.

Learn how to perform the exercise correctly before using heavy weight. Correct form is important to avoid injury and to ensure that you work the proper muscle groups.

Know your limitations. If you are new to weight training or are embarking on an exercise regimen after a long layoff, start slowly and build foundational strength over a longer period of time.

Pay attention to your breathing. Exhale when you exert is a general rule of thumb. Never hold your breath.

Enjoy your RPL-5363-A HOIST® Fitness System!

OWNER'S MANUAL

HOIST FITNESS SYSTEMS **LIMITED LIFETIME WARRANTY**

Hoist Fitness Systems warrants this product to the **original purchaser** to be free from defects in workmanship and/or materials under normal use or service. If at any time a component part is defective, Hoist Fitness Systems shall repair or replace it (at Hoist Fitness Systems option) within a reasonable period of time. This warranty does not cover costs of removal, transportation or reinstallation. This warranty shall not apply if the defect was caused by misuse, neglect or normal wear and tear.

WARRANTY CLAIMS. All claims require: Model number, Serial number, Date of installation, and any information supporting the existence of the alleged defect.

To complete Warranty Registration visit:
www.HOISTFITNESS.com
and click on the Warranty Registration link

Starting from the original date of purchase, normal wear and tear shall be considered as the following:

COMMERCIAL USE: All malfunctions of upholstery, grips, paint, and chrome that occur after one year; all malfunctions of electronic components, belts, or **cables** after one year; all malfunctions of pulleys, bearings, or bushings that occur after five years. The frame and all welded components are warranted for the life of the product.

HOME USE: All malfunctions of grips, paint, and chrome that occur after ten years; all malfunctions of electronic components, belts, **cables**, or upholstery that occur after ten years; all malfunctions of pulleys, bearings, or bushings that occur after ten years. The frame and all welded components are warranted for the life of the product.

PLEASE NOTE THAT NOT ALL HOIST PRODUCTS ARE MADE FOR COMMERCIAL USE.

Refer to the instructions page of your owners manual or consult with you fitness product dealer to establish if a product is made for commercial use or not. Using a non-commercial product in a commercial setting can result in serious injury or death!

Hoist Fitness Systems sole responsibility shall be to repair or replace the component within the terms stated above. Hoist Fitness Systems shall not be liable for any loss or damage of any kind including any incidental or consequential damages resulting, directly or indirectly from any warranty expressed or implied or any other failure of this product.

WHAT IS NOT COVERED BY THIS WARRANTY

Hoist's sole obligation under this warranty is limited to either repair or replacement of parts, subject to the additions below. This warranty neither assumes nor authorizes any person to assume obligations other than expressly covered by this warranty.

NO CONSEQUENTIAL DAMAGES. Hoist is not responsible for economic loss; profit loss; or special, indirect, or consequential damages.

WARRANTY IS NOT TRANSFERABLE. This warranty is not assignable and applies only in favor of the original purchaser/user to whom delivered. Any such assignment or transfer shall void the warranties herein made and shall void all warranties, expressed, implied or statutory, except the one (1) and five (5) year warranties described above. These warranties are exclusive and in lieu of all other warranties, including implied warranty and merchantability or fitness for a particular purpose. There are no warranties which extend beyond the description on the face hereof.

TRANSPORTATION COSTS. Hoist will accept parts covered under this warranty freight collect, provided that shipment has received prior approval. Hoist is not responsible for any other transportation costs, but will ship freight collect parts either repaired or replaced under these warranties.

Hoist Fitness Systems
9990 Empire St. #130
San Diego, CA. 92126
(800)548-5438

PLEASE KEEP THIS FOR YOUR RECORDS